

# NEXUS 21

TECHNOLOGY IN MOTION

**Hinged Top Guide – Type C  
Installation Instructions**



# NEXUS 21

TECHNOLOGY IN MOTION

Contact: [Support@nexus21.com](mailto:Support@nexus21.com)

Toll Free: (866) 500-5438

Phone: (480) 951-6885

Fax: (480) 951-6879

## Nexus 21 Hinged-Top Guides – TYPE C For TV Lift Models L-27, L-45, DL-45, L-50 and DL-50



### Included Hardware:

- Two (2) Hinged-Top Guides (photo at left)
- Four (4) 6mm x 12 Flat Head Machine Screws
- Four (4) 6mm Hex Nyloc Nuts
- Two (2) 11" Soft Velcro Strip
- One (1) 3" Soft Velcro Strip

### Additional Hardware for Model L-27 Only:

- Four (4) #10 x 3/8" Nylon Spacers
- Four (4) 1" Truss Head Wood Screws



**Note:** Your Lift System will not include a Top Plate if you ordered the Hinged Top Guides. The Top Plate is not used in a hinged-lid installation.



**IMPORTANT:** The pivot point, where the Hinged-Top Guides make contact with the underside of your cabinet lid, must be at least 2" away from the cabinet hinges. This may require that the TV Lift be mounted farther forward in the cabinet, increasing the distance between the Hinged Top Guides and the cabinet hinges.



**FOR MODEL L-27 ONLY:** When using this model with a hinged-lid, the Lift System must be moved forward in order to create clearance for the Hinged-Top Guides.

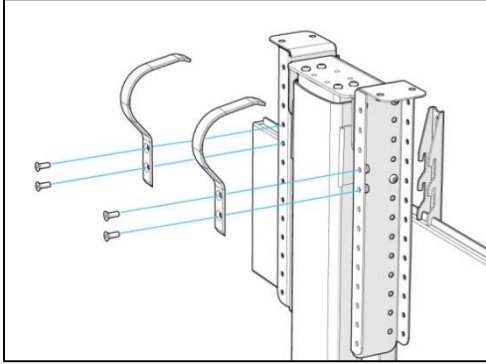
### See Step 6 of the Model L-27 Installation Instructions:

Use the four 1" Truss Head Wood Screws and the 3/8" Nylon Spacers provided, and install the Bayonet Bracket as described. **YOU WILL NOT USE THE SPACERS OR 1" TRUSS HEAD SCREWS FOR MODEL L-40 OR DL-40 INSTALLATIONS.**

## MODEL L-27 INSTALLATION

(Turn to page 5 for Model L-45, DL-45, L-50, and DL-50 installation procedure)

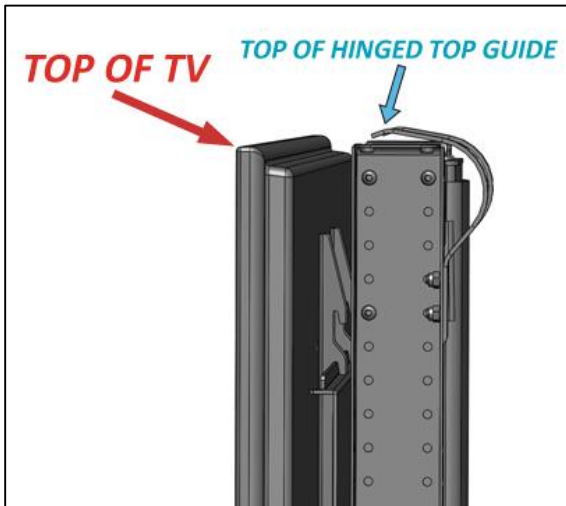
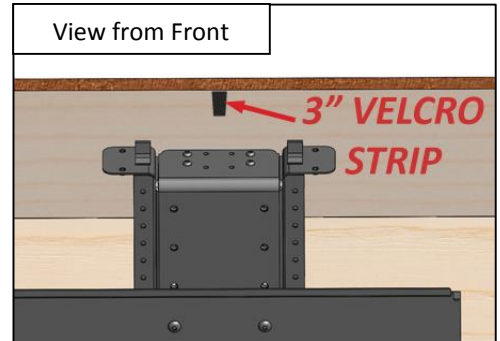
The image at left shows the position of the Hinged Top Guides for model L-27.  
Follow the steps below for installation.



**Step 1:** Attach the Hinged-Top Guides, as shown in photo at left, to the slotted holes on the back of the Top Support Brackets. Secure them by using the four (4) 6mm x 12mm Flat Head machine screws and 6mm Nyloc nuts.

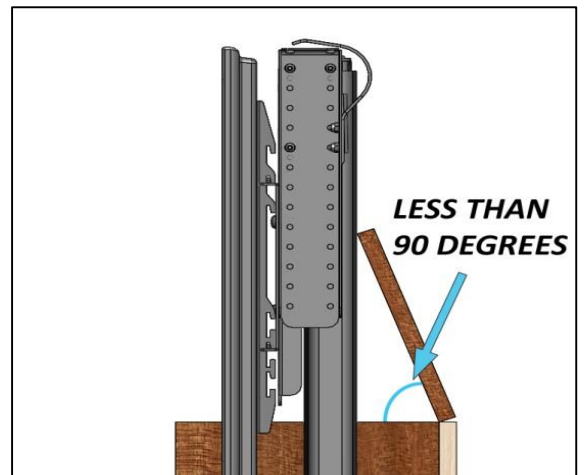
**Step 2:** Remove the peel away film on the back of the 3" Velcro strip and apply it to the underside of the cabinet lid where it makes contact with the Lift Column.

**Note:** This strip of Velcro will protect the Hinged Lid of the cabinet since the Lid will rest against the back of the Lift Column after it has cleared the Hinged Top Guides.



**Step 3:** Install the TV  $\frac{1}{4}$ " –  $\frac{1}{2}$ " below the top of the Hinged Top Guides, so that the cabinet lid does not touch the TV during operation. You may bend the Hinged-Top Guides up or down slightly to achieve this tolerance.

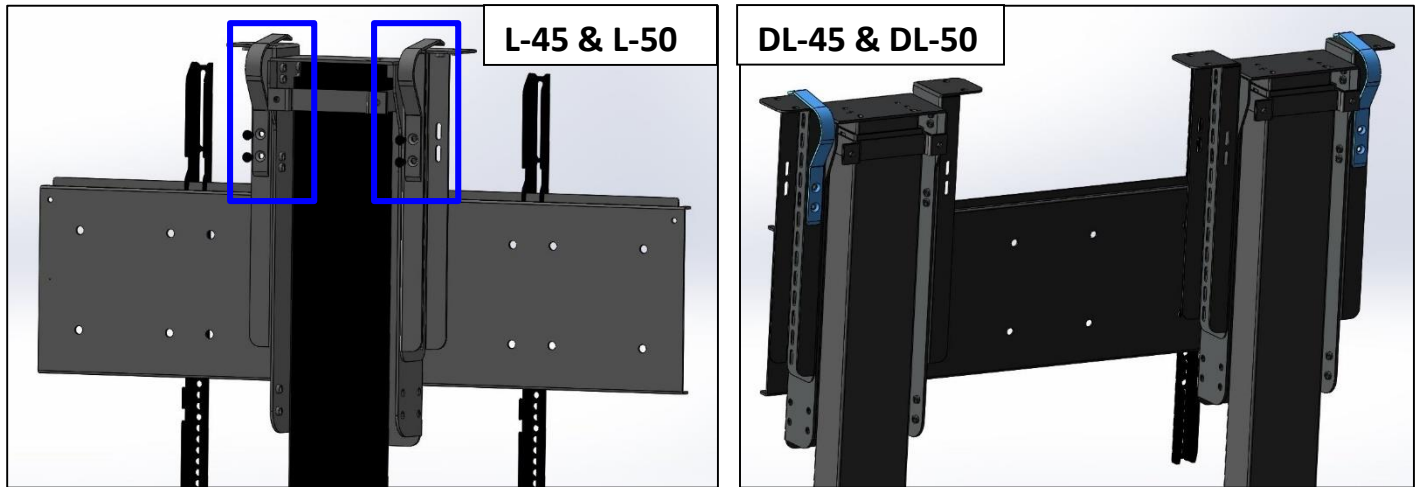
**Step 4:** Check to make sure your cabinet lid rests at an angle less than 90 degrees. This will allow the cabinet lid to automatically close when the Lift lowers.



## MODEL L-45, DL-45, L-50, and DL-50 INSTALLATION

**Step 1:** Attach the Hinged-Top Guides to the slotted holes on the back side of the Top Support Brackets and secure them by using the four (4) 6mm x 12mm Flat Head machine screws and 6mm Nyloc nuts.

**NOTE:** For Model DL-50 the installation procedure is the same but one Top Support Bracket is located on the outside of each of the Screen Support Brackets.



**Step 2: LID PROTECTION** -- Line the underside of the cabinet lid with the 6 ¾" soft Velcro strip directly behind the Screen Support Bracket. You may also place Velcro strips along the bottom section of the Hinged Top Guide bracket to provide additional protection. Placing Velcro strips along both the lid and Hinged Top Guide Bracket ensure the lid is protected while it travels against the back of the Screen Support Bracket.

**NOTE:** For Model DL-50 you will use two (2) 6 ¾" Velcro strips and line the underside of the cabinet lid behind both Screen Support Brackets.

## Troubleshooting

With the Lift system, Hinged-Top Guides and TV fully installed, test the operation of the hinged cabinet top. The lift should run smoothly in both up and down directions, with the underside of the cabinet top touching only the soft Velcro-covered parts of the Hinged-Top Guides.

If you experience the TV Lift stopping and reversing during the first few inches of the TV Lift's extension, the Collision Control has been inadvertently activated when it came in contact with the hinged lid, which usually means the lift is mounted too close to the cabinet hinges or the Hinged Top Guides are too far from the underside of the lid. Ensure the distance between the Hinged Top Guides are rear wall of the cabinet is a minimum of 2" and ensure the Hinged Top Guides are as close to the underside of the lid as possible.

If this problem persists, please contact our Service Department at 866-500-5438.



# NEXUS 21

TECHNOLOGY IN MOTION